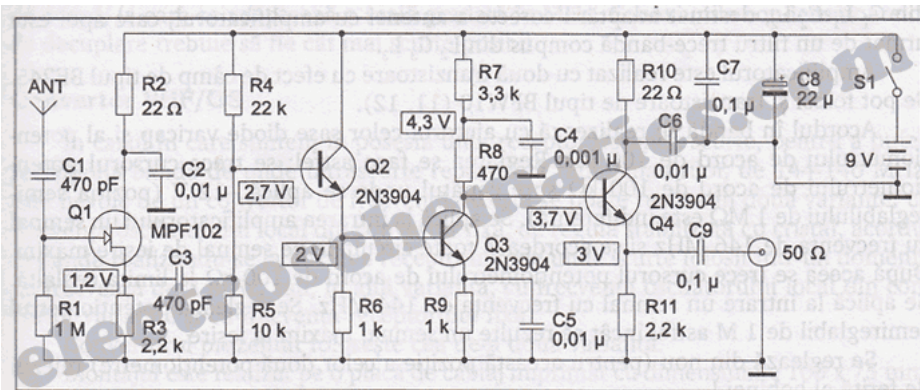


ELECTRO SCHEMATICS (/)

Advertisement

Home (<http://www.electroschematics.com/>) / Radio (<http://www.electroschematics.com/radio/>) / Shortwave antenna amplifier



(<http://www.electroschematics.com/wp-content/uploads/2009/04/shortwave-amplifier.gif>)

Shortwave antenna amplifier

RECEIVED BY EMAIL ([HTTP://WWW.ELECTROSCHEMATICS.COM/AUTHOR/EMAIL/](http://www.electroschematics.com/AUTHOR/EMAIL/))

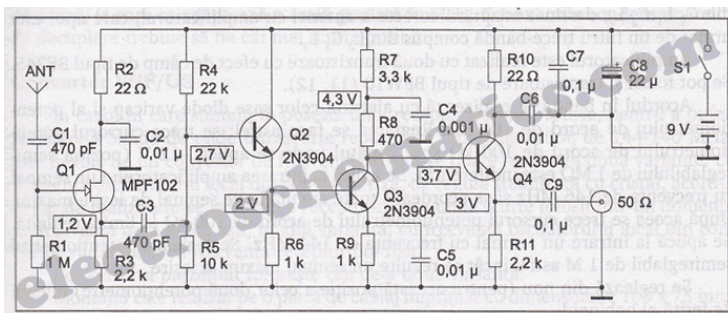
[f](https://www.facebook.com/sharer/sharer.php?u=http://www.electroschematics.com/2254/shortwave-antenna-amplifier/) (<https://www.facebook.com/sharer/sharer.php?u=http://www.electroschematics.com/2254/shortwave-antenna-amplifier/>) [t](https://twitter.com/share) (<https://twitter.com/share>) [?](#) (/qa/)

[radio amplifiers](#) (/tag/rf-amplifier-circuits)

This is a wide band shortwave SW antenna amplifier. The frequency band is 1 to 30 MHz and a medium gain of 15 dB. The input stage is built with MPF102 (<https://www.arrow.com/en/products/search?q=MPF102>) and the other stages with 2N3904 (<https://www.arrow.com/en/products/search?q=2N3904>).

The power supply is 9 V and the output impedance is 50 Ω. Below you have the sw amplifier schematic and recommended printed circuit board.

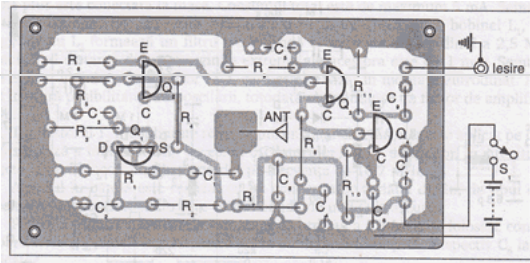
SW antenna amplifier circuit diagram



(<http://www.electroschematics.com/wp-content/uploads/2009/04/shortwave-amplifier.gif>)

content/uploads/2009/04/shortwave-amplifier.gif)

Shortwave amplifier PCB layout



Accept

Previous

Best of Free PCB
Design Software

(<http://www.electroschematics.com/2249/pcb-design-software/>)

Next

Veroboard Stripboard
Software

(<http://www.electroschematics.com/2270/veroboard-design-software/>)

Related Tutorials

[2M 144MHz Push Pull Amplifier DV28120T](http://www.electroschematics.com/20/2m-144mhz-push-pull-amplifier-dv28120t/) (<http://www.electroschematics.com/20/2m-144mhz-push-pull-amplifier-dv28120t/>)

[88 108 MHz 40W Wideband RF Amplifier MRF171A](http://www.electroschematics.com/22/88-108-mhz-40w-wideband-power-amplifier-mrf171a/) (<http://www.electroschematics.com/22/88-108-mhz-40w-wideband-power-amplifier-mrf171a/>)

[BLX15 150W RF Power Amplifier](http://www.electroschematics.com/23/rf-150w-blx15-power-amplifier/) (<http://www.electroschematics.com/23/rf-150w-blx15-power-amplifier/>)

[BLW96 RF Amplifier Circuit](http://www.electroschematics.com/1552/blw96-amplifier/) (<http://www.electroschematics.com/1552/blw96-amplifier/>)

2 Comments

Join the conversation!

You must be logged in ([http://www.electroschematics.com/wp-login.php?](http://www.electroschematics.com/wp-login.php?redirect_to=http%3A%2F%2Fwww.electroschematics.com%2F2254%2Fshortwave-antenna-amplifier%2F)

[redirect_to=http%3A%2F%2Fwww.electroschematics.com%2F2254%2Fshortwave-antenna-amplifier%2F](http://www.electroschematics.com/wp-login.php?redirect_to=http%3A%2F%2Fwww.electroschematics.com%2F2254%2Fshortwave-antenna-amplifier%2F)) to post a comment.



emp1367gmail-com

Hi, Please leave PCB layout in actual scale and ready to print.

Posted on May 09th 2017 | 2:21 pm (<http://www.electroschematics.com/2254/shortwave-antenna-amplifier/#comment-1902689>)

[Log in to Reply](http://www.electroschematics.com/wp-login.php?redirect_to=http%3A%2F%2Fwww.electroschematics.com%2F2254%2Fshortwave-antenna-amplifier%2F) (http://www.electroschematics.com/wp-login.php?redirect_to=http%3A%2F%2Fwww.electroschematics.com%2F2254%2Fshortwave-antenna-amplifier%2F)



dek9jppgmail-com

How can I get a copy of the gerber file to have a PCB made for this shortwave antenna amplifier? Thank you for your help and kindness.

Posted on August 26th 2016 | 2:32 am (<http://www.electroschematics.com/2254/shortwave-antenna-amplifier/#comment-1901219>)

[Log in to Reply](http://www.electroschematics.com/wp-login.php?redirect_to=http%3A%2F%2Fwww.electroschematics.com%2F2254%2Fshortwave-antenna-amplifier%2F) (http://www.electroschematics.com/wp-login.php?redirect_to=http%3A%2F%2Fwww.electroschematics.com%2F2254%2Fshortwave-antenna-amplifier%2F)